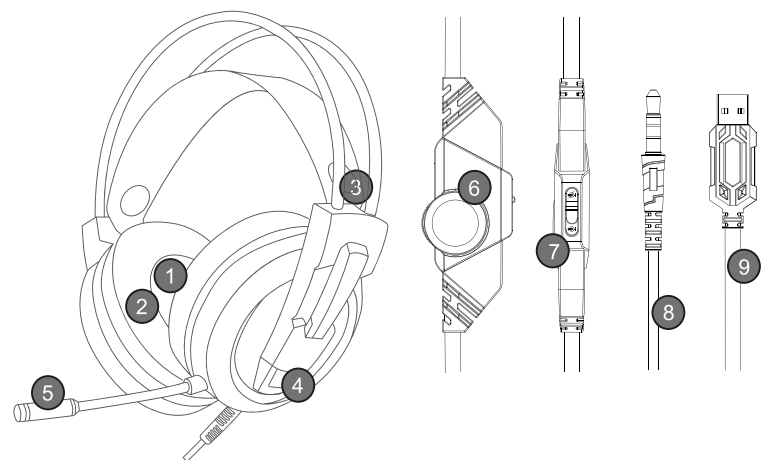
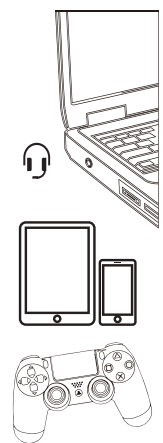


User's Manual

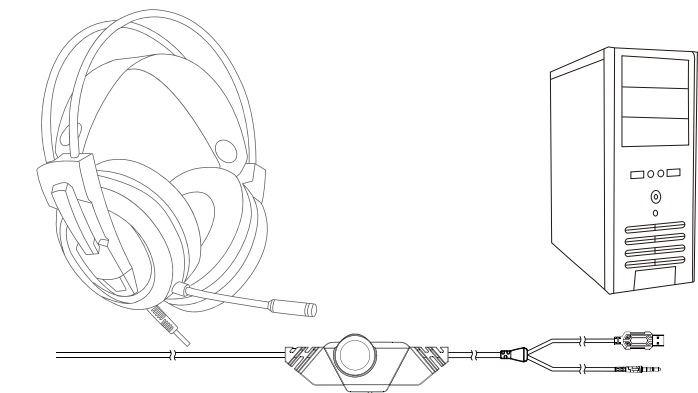
Professional game headset



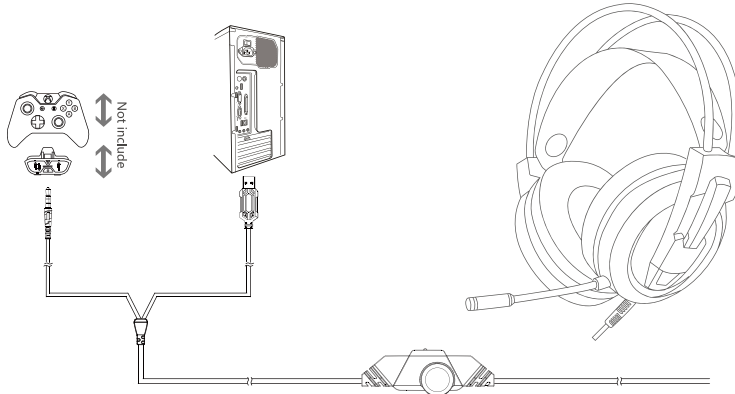
10



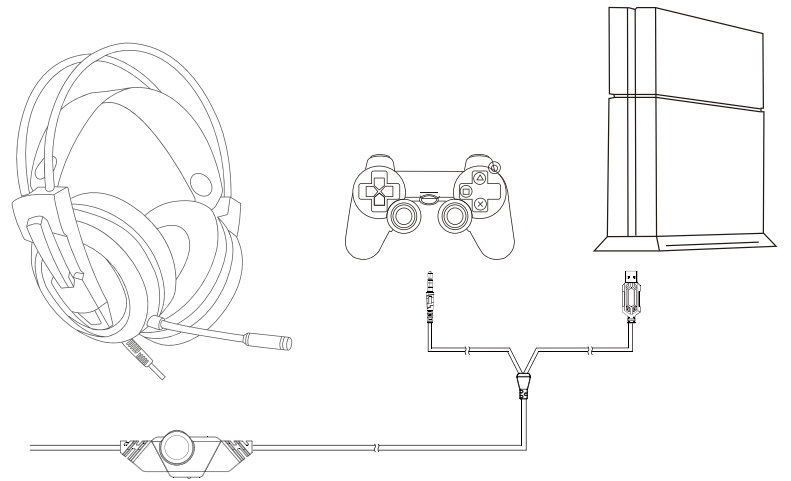
PC / MAC



XBOXone



PS4 / MAC



PRODUCT INTRODUCE			
Driver Diameter	50mm	Mic impedance	2.2KΩ
Impedance	32Ω	Directivity	All Directivity
Sensitivity	102±3Db	Cable length	2.0±0.1
Frequency	20HZ-20KHZ	LED Operating Voltage	DC5V±5%
Mic Diameter	6.0x2.7mm	Operating Current	≤100mA
Mic Sensitivity	-38±3dB	Headset interface	USB

Product introduce

1. High-quality sound production unit offers high, medium and low audio experience.
2. Skin type protein earmuff, environmental protection, wear-proof and comfortable to wear.
3. Cylindrical tensile headband design. The innovative adjustable head beam design will bring the best gaming experience. The light-weight material is for pressure-free fit that won't over heat your head.
4. RGB light. The RGB led light will create a cool gaming environment and make gamer immerse in the game.
5. Flexible and high sensitivity microphone delivers more accurate, clear and smooth voice.
6. Volume control button.
7. Microphone on-off button.
8. 3.5mm international standard(CTIA)device interface(right channel+/ground-/ left channel+microphone+).
9. USB interface for power supply for the RGB lights.
- 10.Used for single interface

Application and operating instructions

1. The headset is applicable to 3.5mm quadropole single plug audio device such as laptop, tablet,pc, mobile phone, etc.
2. The headset is compatible with other gaming devices including PS4, Xbox one, Xbox one S.
3. The required operating system, 32-bit and 64-bit Win 7/Win 8/Win 8.1/Win 10/XP.
4. Generally, the cable end or microphone end is designed on the left side, please wear the microphone end or cable end on the left ear.
5. Please make sure the volume is at the minimum volume, and adjust the volume button to get the appropriate volume.

Frequently asked questions

- 1.When playing music with headset,there is sound but the voice chatting can't work?
 - ①.When using the headset,please make sure that the tone control microphone switch of headset is turned on, make sure the microphone works normally.
 - ②.The headset plug is quadropole,single plug type with the function of audio/voice combination,and is applicable to single-hole audio device.Please make sure that if your device fits the audio/voice combination interface.
 - ③.With the bisected adapter cable of 3.5mm interface,you can use the 3.5mm dual plug (microphone and headphone jack)interface of the computer. You can enjoy the music and voice chatting at the same time.

- 2.When playing music with the headset, there arises the phenomenon of noise,small volume,unclear sound, or one side with the sound and the other side without sound?
 - ①.Please check if the plug is well inserted into the interface device.
 - ②.The headset plug is quadropole,single plug type,while your device may be of tripolar interface.

- 3.There is one side of headset not working on PS4.
 - ①.Please test it with your cell phone before applying the headset on your PS4,to make sure it works well.
 - ②.Insert the headset own 3.5mm jack into the Game pad;;pmg press the PS BUTTON to enter SYSTEM SETTINGS;
 - ③.Choose "PERIPHERAL MACHINGS",and then choose "ADJUST SOUND AND DEVICES",NEXT CHOOSE "OUTPUT TO THE HEADPHONES",and the change it to "ALL AUDIO".
 - ④.Adjust or rotate the 3.5mm interface until both sides of the headphones have smooth sound out.

4.How to work on XBOX one/XBOX One S?

- ①.Please kindly note that there are two connectors at the very end of the wire of the headset,the 3.5mm plug is for mic and headset and the USB plug for lights.
- ②.Connect the Microsoft Adapter(Not included)with the 3.5mm jack for headset to work on XBOX One/XBOX One S

5.When using the headset,there is current sound?

- ①.Please check if the plug is well inserted into the interface device.
- ②.There are electric fields of strong magnetic field at hand,please take away them(such as the mobile phone,fan...)
- ③.Please check if the microphone boost of the computer microputer is turned on.Please open the control panel-Sound-record-level-microphone boost to adjust the microphone boost mode.

Matters needing attention

- ①.Please enjoy music at a moderate volume to prevent adverse effects on the hearing.
- ②.Please be careful to wear when driving or cycling so as not to affect safety.
- ③.If disassemble the headset without authorization,we cannot guarantee the quality.

Packing list

- ①.Gaming headset
- ②.Operating instructions