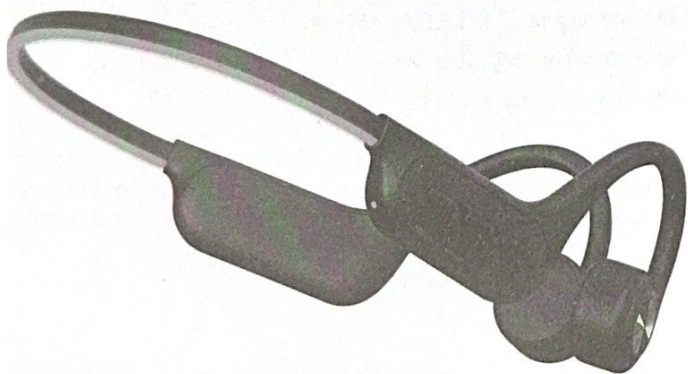


骨传导运动耳机

Bone conduction sports headphones

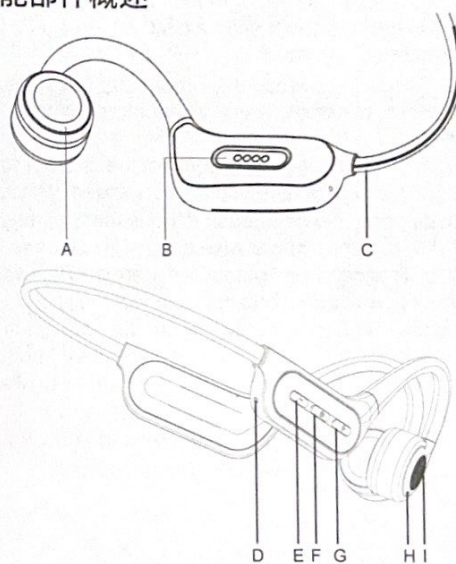


使用指南
Operating guide

重要安全提示

使用前请认真完整的阅读本提示及使用说明书。
请在把产品交给第三方时务必附带本提示及使用说明书。

按键功能部件概述



- A.发声单元：骨传导发声单元
- B.充电接口：磁吸充电接口
- C.发光灯：夜跑指示灯
- D.指示灯：工作指示灯
- E.音量减/上一首：短按音量减，长按上一首
- F.按键：多功能组合键
- G.音量加/下一首：短按音量加，长按下一首
- H.MIC：通话麦克风孔
- I.装饰片：装饰件

功能部件概述

当耳机的电压过低时，红灯5秒闪烁一次，并语音提示“Battery Low”或“电量低”。此时请连接电源适配器为耳机充电，否则当耳机电量过低时将自动关机。

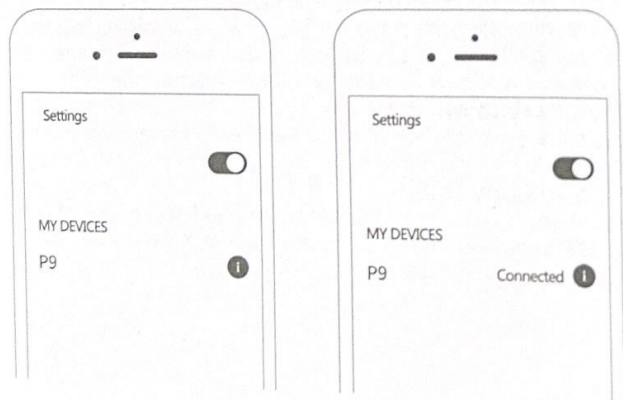
耳机通过磁吸数据线充电后，工作指示灯由红色（稳定开启）变为蓝色（稳定开启）。

注意：请使用符合国家标准且通过CCC认证的直流5V电源适配器进行充电。

蓝牙配对

● 首次开机配对：

在关机状态下，长按多功能键3秒，蓝灯常亮1秒，红/蓝灯交替闪烁，耳机开机，直接进入手机蓝牙配对搜索状态。然后打开手机或蓝牙设备，从蓝牙列表中找到“P9”，并点击连接。



搜索耳机

连接成功

操作说明

- **开机耳机：**
关机状态下，长按多功能键3秒，蓝灯常亮1秒，红蓝灯交替闪烁并伴有“机械音上扬”提示音，自动进入配对模式，红/蓝交替闪烁，已经配对过的设备会自动连接。
- **关闭耳机：**
开机状态下，长按多功能键3秒，直至看见红灯常亮，并伴有“机械下扬”提示音。
- **接听电话：**
来电时，伴有手机本身的铃声，短按多功能键，完成接听；
- **挂断电话：**
通话时，短按多功能键，挂断电话。
- **拒接电话：**
来电时，长按多功能键，完成挂断。
- **断开和再连接：**
耳机与设备超出蓝牙连接距离后，耳机会断开连接，有“嘟嘟”提示音，5分钟之内回到耳机和设备连接范围会自动回连有“嘟”提示音，如果5分钟后仍未连接，耳机会自动关机。
- **播放/暂停音乐：**
播放音乐时，单击多功能键，音乐暂停，暂停状态时蓝灯10秒闪一次。暂停音乐时，单击多功能键，播放音乐，播放状态时蓝灯5秒钟闪1次。
- **下一首：**
短按音量加，音量加大，并伴有提示音，长按音量加键，切换下一曲。
- **上一曲：**
短按音量减，音量减小，长按音量减键，切换上一曲。
- **唤醒语音助手：**
开机任何状态下，长按多功能键2秒，并伴有“嘟”提示音。唤醒语音助手。

● 蓝牙模式和音乐模式切换:

开机状态下, 双击多功能键, 蓝牙模式和音乐模式轮流切换, 并伴有 (Bluetooth Mode) “蓝牙模式” 或 “音乐模式” (Card Mode) 提示音

● 夜跑灯模式开启或关闭:

开机状态下, 三击多功能键, 夜跑灯模式常亮、闪烁、关闭三种模式切换。

● 静音/解禁静音通话切换:

通话时, 长按音量加键1秒, 并伴有提示音, 表示静音模式开启或关闭。

● 中英文模式切换:

开机任何状态下, 连按六下多功能键, 中文模式和英文模式轮流切换, 并伴有 “中文模式” 或 “English Language selected” 提示音。

● 恢复出厂设置:

在任何状态下, 连按五下多功能键, 红/蓝交替闪烁, 有 “嘟嘟” 提示音。

● 如何拷贝数据:

任何状态下, 数据线插入PC或者手机 (要有OTG转接头), 读取到U盘, 并将所需要的歌曲或者数据文件拷贝至设备内;

注意事项:

- 开机没有连接任何手机, 5分钟后自动关机。
- 首次使用请将本产品充满电。
- 充电时请将充电接口处汗水探拭干净并保持干燥未短路。
- 请勿将产品浸泡在液体里。
- 请勿以任何理由拆除或维修改装本产品, 否则可能会导致起火, 电子击穿甚至彻底损坏本产品。

● 如充电完毕, 请断开充电器与本设备的连接, 需拔掉充电器, 连续充电时间请勿超过12小时。

● 请不要将旧电池扔在旧生活垃圾中进行处理, 若电池处置不当可能会导致电池起火或爆炸, 请遵守当地规定处理本产品, 电池及其他附件, 电池不得暴露在过热的环境中。

● 电池禁止拆卸, 撞击, 挤压或投入火中, 若出现严重膨胀, 请勿继续使用。

● 请勿自行维修本产品。

● 消费者若使用电源适配器充电, 应购买配套使用获得CCC认证并满足标准的电源适配器。

基本参数

- 重量: 裸机32.5g
- 耳机类型: 夜跑游泳骨传导蓝牙耳机
- 耳机尺寸: 140x110x48mm
- 蓝牙版本: V5.3
- 传输距离: 10M
- 播放时长: 6小时
- 充电时间: 1.5小时
- 充电输入: DC 5.0V = 150mA
- 电池容量: 150mAh
- 防水等级: IP68

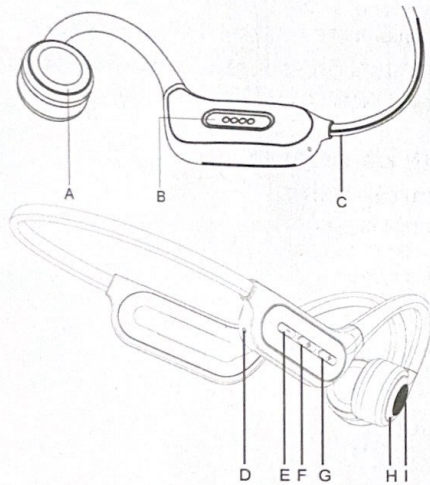
以上若依然没有解决您的问题, 建议及时联系您所购买的经销商, 及时为您提供技术支持和售后服务, 再次感谢您的支持!

Important safety Tips

Please read the tips and instructions carefully and thoroughly before use.

Please attach this reminder and instruction manual when handing over the product to a third party.

Overview of key functions



- A. Vocal unit: bone conduction vocal unit
- B. Charging interface: magnetic charging interface
- C. Luminous light: night running indicator
- D. Indicator: Working indicator
- E. Volume down/Previous track: Short press volume down and long press previous track
- F. Key: Multifunctional key combination
- G. Volume Plus/Next track: Short press volume plus and long press next track
- H. MIC: microphone hole for a conversation
- I. Decorative piece: decorative piece

Functional component overview

When the voltage of the headset is too Low, the red light blinks every five seconds and a voice message is displayed indicating "Battery Low". At this time, please connect the power adapter to charge the earphone, otherwise the earphone will automatically shut down when the battery is too low.

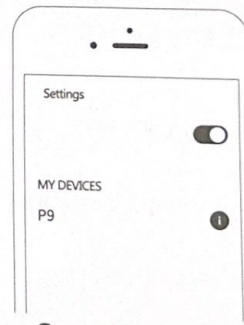
After the earphone is charged through the magnetic data cable, the working indicator turns from red (stable on) to blue (stable on).

Note: Please use a DC 5V power adapter that meets the national standard and is certified by CCC for charging.

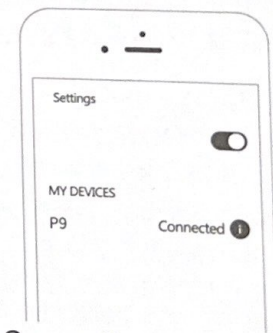
Bluetooth pairing

● First startup pairing:

In the off state, long press the multi-function button for 3 seconds, the blue light is on for 1 second, the red/blue light flashes alternately, the headset is turned on, and the mobile phone Bluetooth pairing search state is directly entered. Then turn on your phone or Bluetooth device, find "P9" from the Bluetooth list, and tap Connect.



Search headset



Connection succeeded

Operation Instructions

● Turn on the headset:

In the off state, long press the multi-function button for 3 seconds, the blue light is on for 1 second, the red and blue lights flash alternately and accompanied by the "mechanical tone up" prompt tone, and the device that has been paired will automatically enter the pairing mode. The red and blue lights flash alternately, and the device that has been paired will automatically connect.

● Turn off the headset:

In the startup state, long press the multi-function button for 3 seconds until the red light is steady on and accompanied by the "mechanical down" prompt tone.

● Answering the phone:

When an incoming call is accompanied by the ring tone of the mobile phone itself, press the multi-function key to complete the answer;

● Hang up:

During the call, press the multifunction button to hang up.

● Refuse to answer the phone:

When an incoming call comes, long press the multifunction button to hang up.

● Disconnect and reconnect:

When the distance between the earphone and the device exceeds the Bluetooth connection distance, the earphone is disconnected and a beep tone is played. If the earphone and the device are connected within 5 minutes, the earphone will be automatically connected and a beep tone will be played. If the earphone is not connected after 5 minutes, the earphone will shut down automatically.

● To play/pause music:

When playing music, click the multi-function key to pause the music. The blue light flashes once every 10 seconds when the music is paused. When you pause the music, click the multifunction button to play the music. When the music is playing, the blue light flashes once every five seconds.

● Next song:

Short press the volume plus, and the volume will increase with the prompt tone. Long press the volume plus button to switch to the next song.

● Previous song:

Short press volume reduction to reduce volume, long press volume reduction key to switch to the previous song.

● Wake up the voice assistant:

In any startup state, hold down the multifunction button for 2 seconds and a beep tone is played. Wake up the voice assistant.

● Switch between Bluetooth mode and local storage mode:

When the device is powered on, double-click the multifunction button to switch between Bluetooth Mode and music Mode in turn, and the Bluetooth Mode or Card Mode prompt tone is played

● Night running light mode on or off:

In the startup state, the three-click multi-function button, night running light mode of steady on, blinking, off three modes switch.

● Mute/Undisable Mute call switching:

During a call, hold down the Volume Plus button for one second and an announcement tone is played to enable or disable the mute mode.

● Chinese and English mode switching:

In any startup state, press the multi-function key six times to switch between Chinese mode and English mode in turn, accompanied by the "Chinese Mode" or "English Language selected tone.

● factory data reset:

In any state, press the multifunction key five times, red/blue alternately flashing, a "dudu" prompt tone.

● How to copy Data:

In any state, the data cable is inserted into the PC or mobile phone (with OTG adapter), read the U disk, and copy the required songs or data files to the device;

Points to note:

- Will power off automatically after 5 minutes without connecting to any mobile phone.
- Please fully charge the headset when using it for the first time.
- Before charging, wipe the sweat or moisture from the charging port to ensure that it is dry and avoid short circuit.
- Do not soak the product in liquid.
- Please do not dismantle or repair this product for any reason, otherwise it may lead to fire, electronic breakdown or even completely damage the product.
- If the charging is finished, please disconnect the charger from the headset, Continuous charging time should not exceed 12 hours.
- Please do not dispose of old batteries in household garbage. Improper disposal of batteries may cause battery fire. Please follow local regulations to dispose of this product, battery and its accessories. Batteries should not be exposed to excessive heat.
- Do not disassemble, impact, squeeze or put the battery into it is forbidden to disassemble, hit, crush or throw the battery into fire. Do not continue to use this product if the battery is severely swollen.
- Do not repair this product by yourself.
- Please use a DC 5V power adapter that meets the national standard and is certified by FCC, CE or UL to charge it.

Basic parameters

- Weight: Bare machine 32.5g
- Headset type: Night Run Swimming bone Conduction Bluetooth headset
- Headphone size: 140x110x48mm
- Connection version: V5.3
- Transmission distance: 10M
- Playing time: 6 hours
- Charging time: 1.5 hours
- Charging input: DC 5.0V = 150mA
- Battery capacity: 150mAh
- Waterproof class: IP68

If the above still does not solve your problem, it is recommended to contact the dealer you bought in time. Provide you with technical support and after-sales service, thank you again for your support!